

# BATOD 2017 Interactive Classroom

James Mander (Ewing Foundation)

Tony Murphy (Phonak UK)



# Interactive Classrooms

- Modern classroom will be more interactive.
- Not only books
- On-line courses
- Podcasts
- Youtube videos
- TED talks.
- Teacher no longer at the front of the class.
- How ensure class information is delivered to the hearing instrument.

# Potential connections in the classroom

- Interactive White Boards
- Interactive TVs
- iPads
- PCs
- PA systems
- Sound Fields
- Group work

# Cable connections



3.5mm stereo



HDMI



RCA



Optical Digital Audio



Scart



6.3mm to RCA

# Interactive Whiteboard direct

⑦ micro-USB

⑧ Jack 3.5 mm /



# Interactive Whiteboard via PC



# PA System

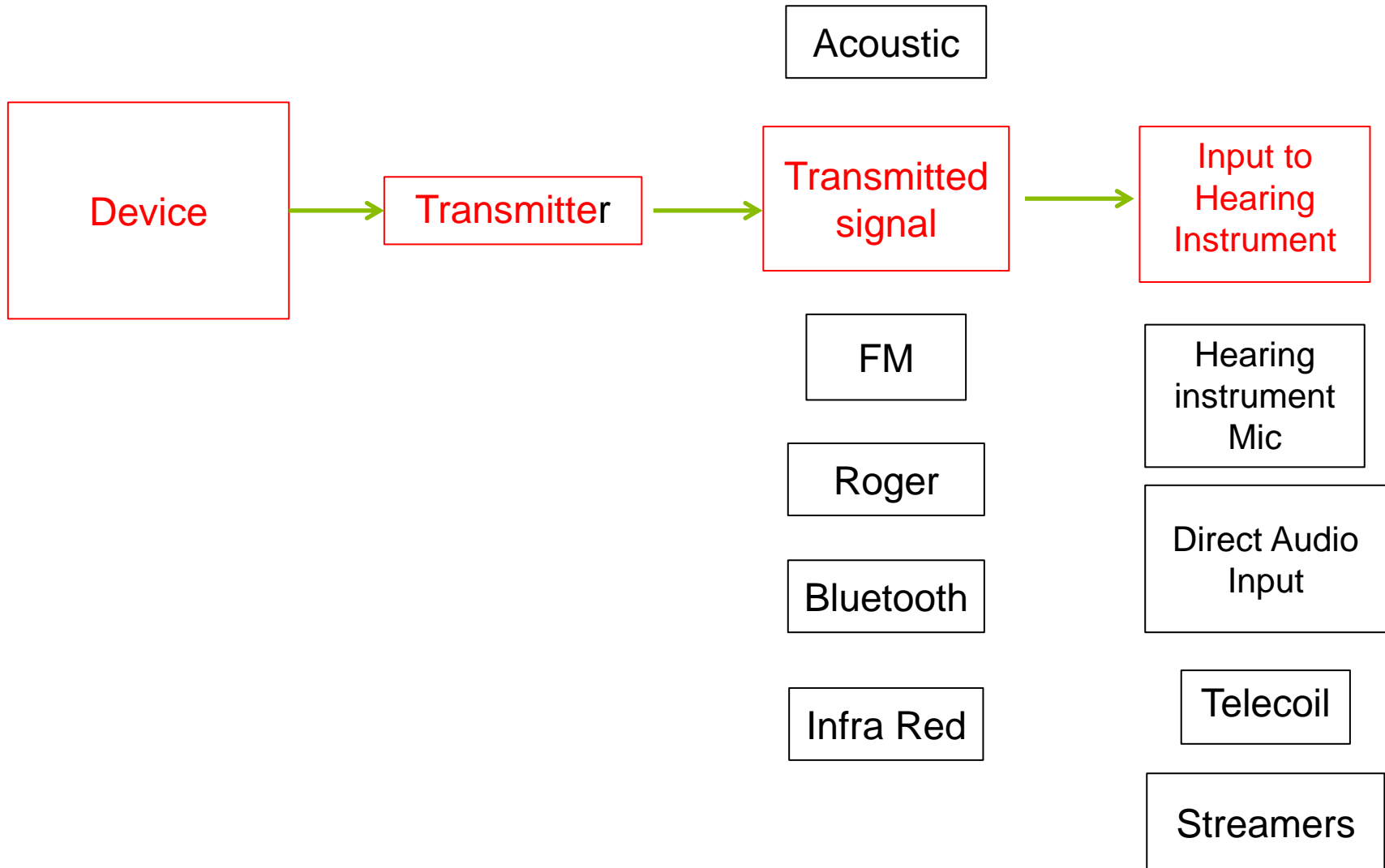


TV





# What you need



ANY  
QUESTIONS?

The text 'ANY QUESTIONS?' is written in a blue, outlined, sans-serif font. It is positioned in the upper left quadrant of the slide. Two red stars with motion lines trailing behind them are placed around the text, one above the word 'ANY' and one below the word 'QUESTIONS?'. The overall style is dynamic and energetic.

***& Workshop***